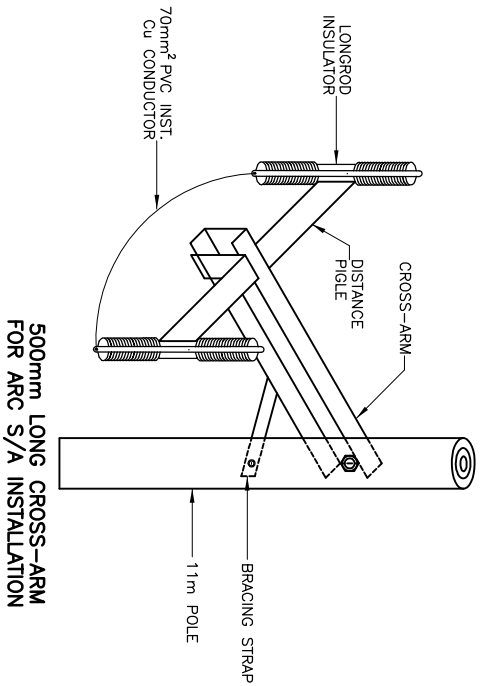
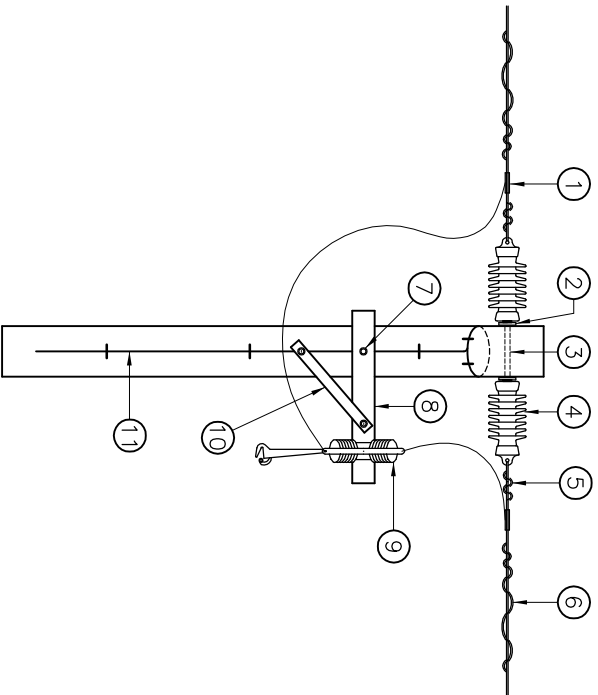


COPYRIGHT © 2009 EMCON
 ALL RIGHTS RESERVED. NO PART OF THIS PUBLICATION MAY BE REPRODUCED STORED IN A RETRIEVAL SYSTEM OR TRANSMITTED IN ANY FORM OR BY ANY MEANS, ELECTRONIC, MECHANICAL, PHOTOCOPYING, RECORDING OR OTHERWISE, WITHOUT THE PERMISSION IN WRITING FROM EMCON.



500mm LONG CROSS-ARM FOR ARC S/A INSTALLATION

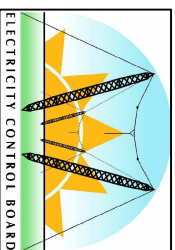


SINGLE PHASE D.O.F ASSEMBLY

ITEM	DESCRIPTION	QTY	REMARKS
1	3 BOLT FG CLAMPS (GOLD)	2	PLP 1646-36
2	CURED TV WASHER	2	PLP ED208
3	20mm EYE-BOLT	1	VC34
4	LINE POST INSULATOR & SPINDLE	2	PLP G5S1248-259 "ORANGE"
5	SIDE TIE	2	PLP S0034
6	SPIRAL VIBRATION DAMPERS	2	
7	BOLT 20x200mm	2	
8	CROSS-ARM	1	NOX 33kW
9	D.O.F ASSEMBLY FOR 33kW LINE	1	ISOTECH ES/12/24-01
10	ELECTRONIC SINGLE PHASE SECTIONALISER	1	
11	3x4 DIAMETER STAY WIRE	12m	POLE EARTH

NOTES:

ELECTRICITY CONTROL BOARD



Box 2923
 Windhoek
 NAMIBIA

Tel: (061) 374300
 Fax: (061) 374305

DRAWING TITLE

**SWER SYSTEM
 50mm LONG CROSS-ARM FOR
 ARC S/A INSTALLATION AND
 SINGLE PHASE D.O.F ASSEMBLY**

DESIGNED: A.K

DRAWN: J.W.S

REV: 01-2001

DRAWING No: STD-SWER-15

SCALE: N.T.S

ERROR: syntaxerror
OFFENDING COMMAND: --nostringval--

STACK:

/Title
()
/Subject
(D:20100127143159+02'00')
/ModDate
()
/Keywords
(PDFCreator Version 0.9.5)
/Creator
(D:20100127143159+02'00')
/CreationDate
(johnny)
/Author
-mark-