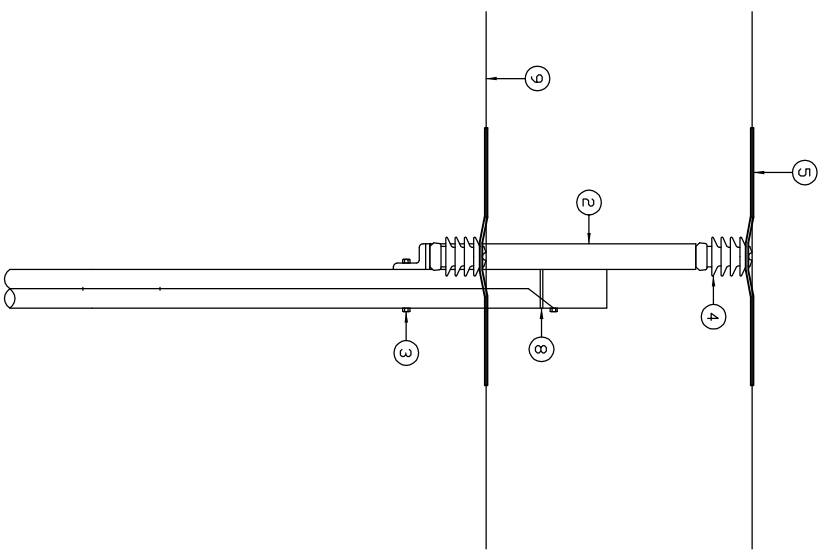
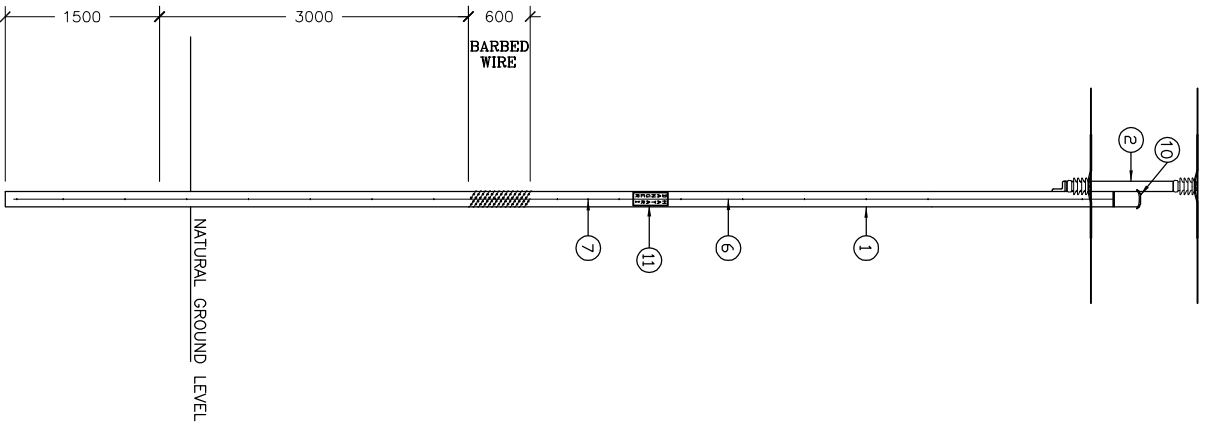


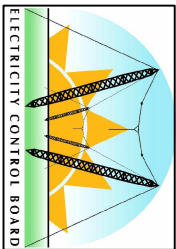
COPYRIGHT © 2009 EMCON
 ALL RIGHTS RESERVED. NO PART OF THIS PUBLICATION MAY BE REPRODUCED STORED IN A RETRIEVAL SYSTEM OR TRANSMITTED IN ANY FORM OR BY ANY MEANS, ELECTRONIC, MECHANICAL, PHOTOCOPYING, RECORDING OR OTHERWISE, WITHOUT THE PERMISSION IN WRITING FROM EMCON.



ITEM	DESCRIPTION	QTY	REMARKS
1	WOODEN POLE	1	11m LONG TOP 160mm ϕ
2	INTERMEDIATE A-FRAME	1	SEE DWG NO. STD-WAF-12
3	BOLTS	2	M12x250mm COMPLETE
4	PIN INSULATOR	3	CULLINAN E9474 COMPLETE
5	WRAP/LOCK	3	PLP, AMT 270-280
6	POLE EARTH CONDUCTOR	11m	3/4.00mm STAY WIRE
7	STAPLES	40	3x32mm HOT DIP GALVANISED
8	BAND-IT STRAPPING	1	20x0.7mm STAINLESS STEEL
9	BARE ALUMINIUM CONDUCTOR		ACSR
10	POLE CAP		
11	DANGER PLATE		

NOTES:
 1. THE A-FRAME AND BOLTS C/W NUTS AND WASHERS SHALL BE HOT DIPPED GALVANISED TO SABS 763.

ELECTRICITY CONTROL BOARD



Box 2923
 Windhoek
 NAMIBIA
 Tel: (061) 374300
 Fax: (061) 374305

DRAWING TITLE
 MEDIUM VOLTAGE BARE OVERHEAD DISTRIBUTION
 INTERMEDIATE POLE STRUCTURE : A-FRAME

DESIGNED: A.K	DRAWN: J.W.S	REV: 01-2001
DRAWING No: STD-MVAE-33KV-05		SCALE: N.T.S

ERROR: syntaxerror
OFFENDING COMMAND: --nostringval--

STACK:

/Title
()
/Subject
(D:20100127142501+02'00')
/ModDate
()
/Keywords
(PDFCreator Version 0.9.5)
/Creator
(D:20100127142501+02'00')
/CreationDate
(johnny)
/Author
-mark-