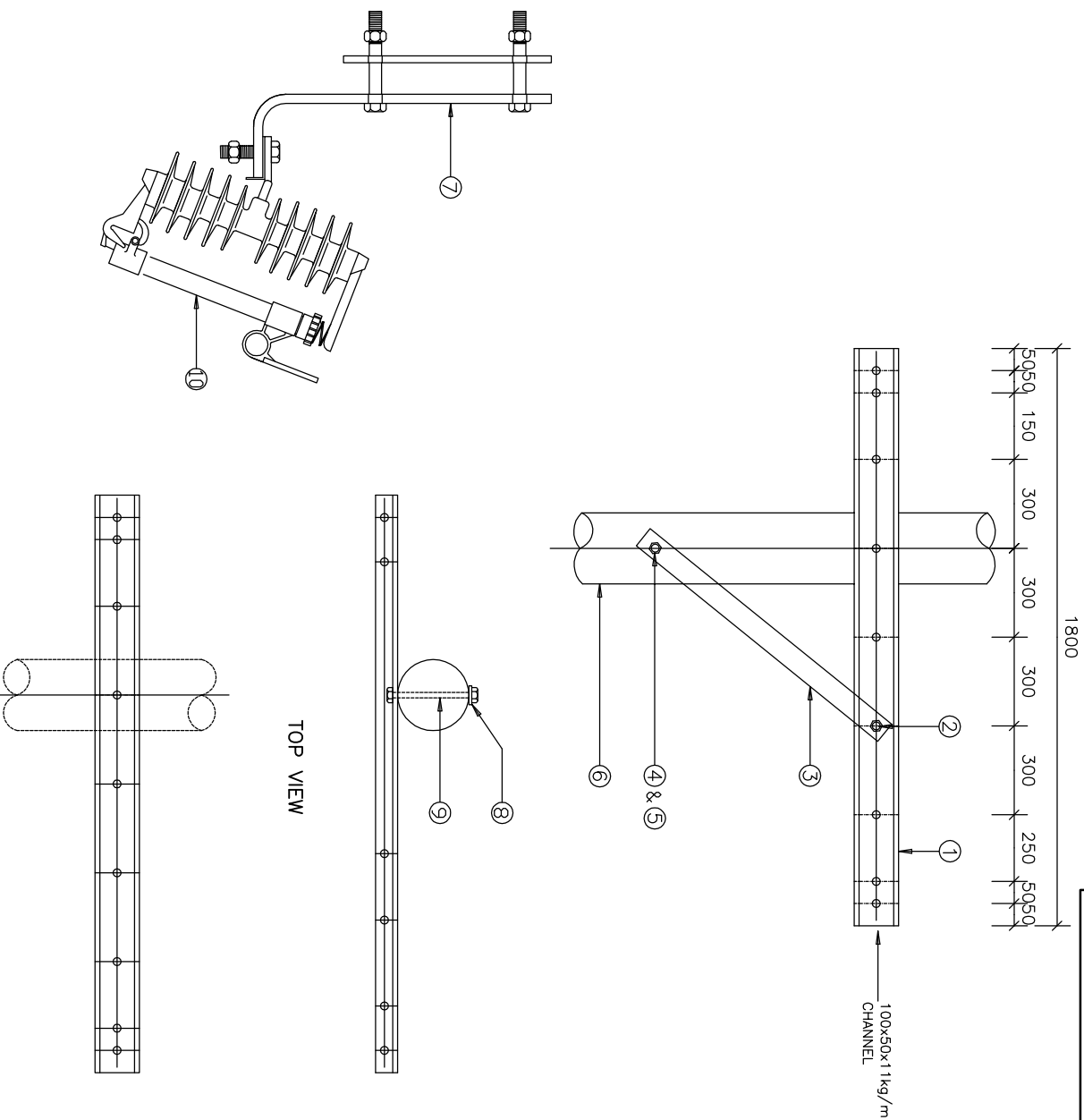


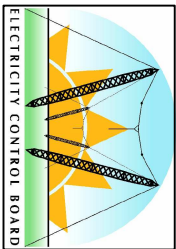
COPYRIGHT © 2009 EMCON  
 ALL RIGHTS RESERVED. NO PART OF THIS PUBLICATION MAY BE REPRODUCED STORED IN A RETRIEVAL SYSTEM OR TRANSMITTED IN ANY FORM OR BY ANY MEANS, INCLUDING ELECTROSTATIC, MAGNETIC TAPE, MECHANICAL, PHOTOCOPYING, RECORDING OR OTHERWISE, WITHOUT THE PERMISSION IN WRITING FROM EMCON.



**NOTES:**  
 1. ALL MATERIALS SHALL BE GALVANISED MILD STEEL TO SABS 763.

ITEM	DESCRIPTION	QTY	REMARKS
1	CROSS-ARM	1	100x50x1kg/m CHANNEL
2	BOLT & NUT	1	60mm x M20 GALVANISED
3	BRACING STRIP	1	700x50x5mm FLAT BAR
4	COACH SCREW	1	100mm x M10 GALVANISED
5	FLAT WASHER	1	M12
6	WOODEN POLE	1	AS SPECIFIED
7	NEWA BRACKET	3	60x60x6mm GALVANISED
8	CURVED WASHER	1	230mm x M20 GALVANISED
9	BOLT & NUT	1	33kV FUSE CARTRIDGE
10	33kV FUSE CARTRIDGE		

**ELECTRICITY CONTROL BOARD**



Box 2923  
 Windhoek  
 NAMIBIA  
 Tel: (061) 374300  
 Fax: (061) 374305

**CONDUCTOR DISTRIBUTION SYSTEM  
 CROSS-ARM DETAIL  
 -VILLAGE INTERNAL NETWORK-**

<b>DESIGNED:</b> A.K	<b>DRAWN:</b> J.W.S	<b>REV:</b> 01-2001
<b>DRAWING No:</b> STD-MVSD-33KV-13		<b>SCALE:</b> N.T.S



ERROR: syntaxerror  
OFFENDING COMMAND: --nostringval--

STACK:

/Title  
( )  
/Subject  
(D:20100127115114+02'00')  
/ModDate  
( )  
/Keywords  
(PDFCreator Version 0.9.5)  
/Creator  
(D:20100127115114+02'00')  
/CreationDate  
(johnny)  
/Author  
-mark-