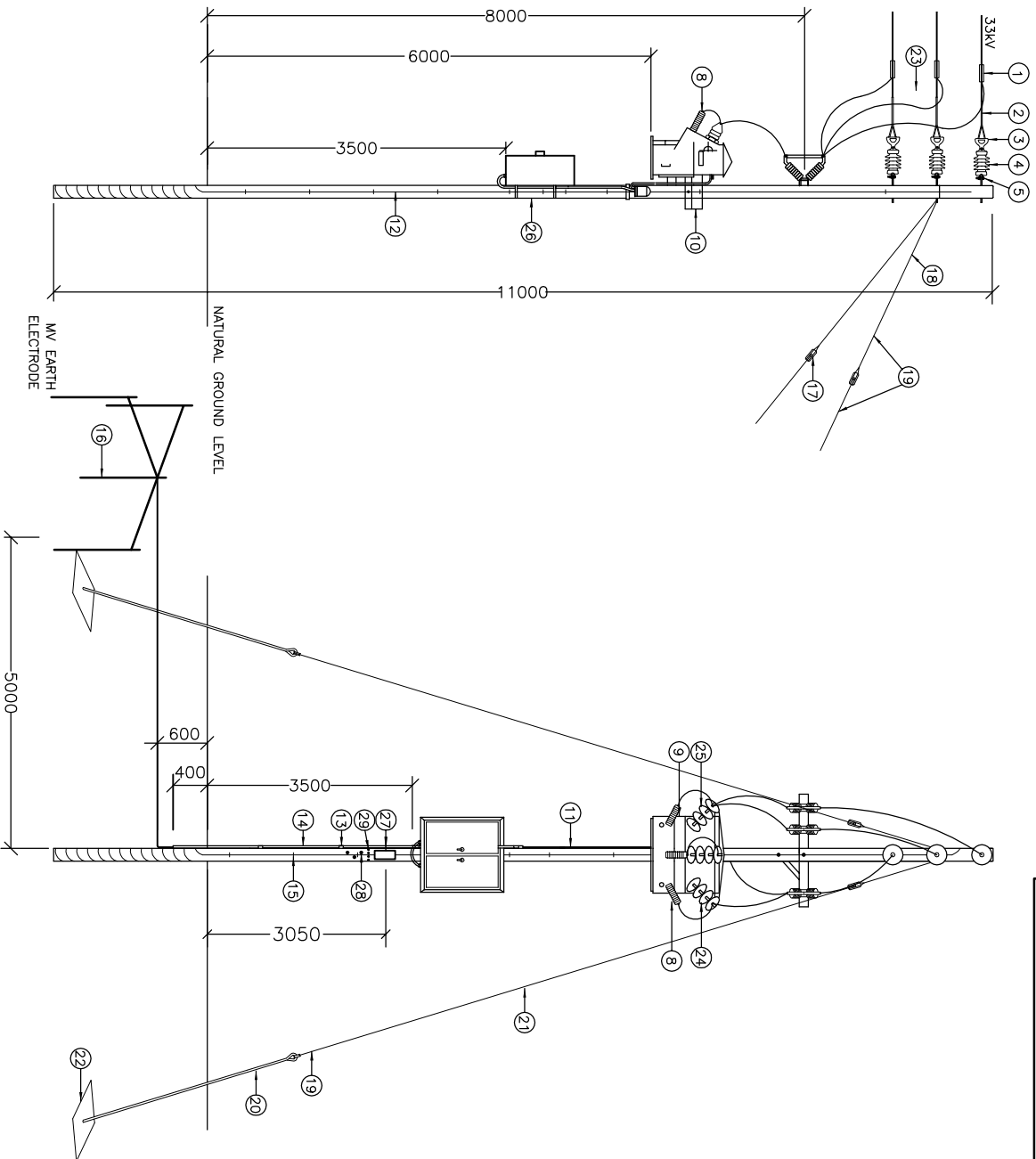


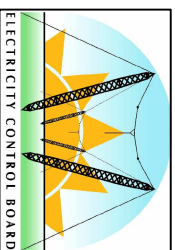
COPYRIGHT © 2009 EMCON
 ALL RIGHTS RESERVED. NO PART OF THIS PUBLICATION MAY BE REPRODUCED STORED IN A RETRIEVAL SYSTEM OR TRANSMITTED IN ANY FORM OR BY ANY MEANS, ELECTRONIC, MECHANICAL, PHOTOCOPYING, RECORDING OR OTHERWISE, WITHOUT THE PERMISSION IN WRITING FROM EMCON.



ITEM	DESCRIPTION	QTY	REMARKS
1	PG CLAMP	3	
2	DEAD END	3	
3	THIMBLE CLEVIS	3	
4	LONGROD INSULATOR	3	EP 1044, 1200mm CREEPAGE
5	PIN	3	GALVANISED WILD STEEL
6			
7			
8	SURGE ARRESTOR	3	RATING AS SPECIFIED
9	TRANSFORMER	1	
10	TRANSFORMER MOUNTING BRACKET	1	
11	MV EARTH CONDUCTOR	18m	BARE COPPER CONDUCTOR 70mm ²
12	POLE EARTH CONDUCTOR	20m	3/4.00mm STAY WIRE
13	SADDLES	10	
14	KICK PIPE	3m	HDPE 50mmø
15	STAPLES	-	3x32mm HOT DIP GALVANISED
16	EARTH SPIKE	4	12m LONG - 16mmø
17	STAY INSULATOR	2	
18	POLE TOP MAKE OFF	2	
19	GYL GRIP	2	
20	STAY ROD	2	BSS20 C/W THIMBLE
21	STAY WIRE GALVANISED	30m	7/4.00 STAY WIRE GALVANISED
22	BASE PLATE	2	450x450x6mm GALV.
23	JUMPERS	6x5m	
24	TRANSFORMER BUSHINGS	3	SUPPLIED WITH TRF
25	TERMINATION LUGS	3	ALUMINIUM TO BRASS 70x16
26	WOODEN POLE	1	11m LONG WITH TOP 220mmø
27	PHASE PLATE	1	
28	PHASE PLATE	1	
29	NUMBER NAILS	3	

NOTES:
 1. ALL FABRICATED ITEMS, BOLTS, NUTS AND WASHERS SHALL BE HOT DIPPED GALVANISED TO ASTM A153
 2. ALUMINIUM OXIDE GREASE SHALL BE USED ON ALL CLAMPS FOR CORROSION PROTECTION.

ELECTRICITY CONTROL BOARD



Box 2923
 Windhoek
 NAMIBIA

Tel: (061) 374300
 Fax: (061) 374305

DRAWING TITLE

**MEDIUM VOLTAGE BARE OVERHEAD
 DISTRIBUTION: DISTRIBUTION TRANSFORMER
 STRUCTURE, SINGLE POLE MOUNTING
 -VILLAGE INTERNAL NETWORK-**

DESIGNED: A.K **DRAWN:** J.W.S **REV:** 01-2001

DRAWING No: STD-AMVSD-3KV-02 **SCALE:** N.T.S

ERROR: syntaxerror
OFFENDING COMMAND: --nostringval--

STACK:

/Title
()
/Subject
(D:20100127115507+02'00')
/ModDate
()
/Keywords
(PDFCreator Version 0.9.5)
/Creator
(D:20100127115507+02'00')
/CreationDate
(johnny)
/Author
-mark-