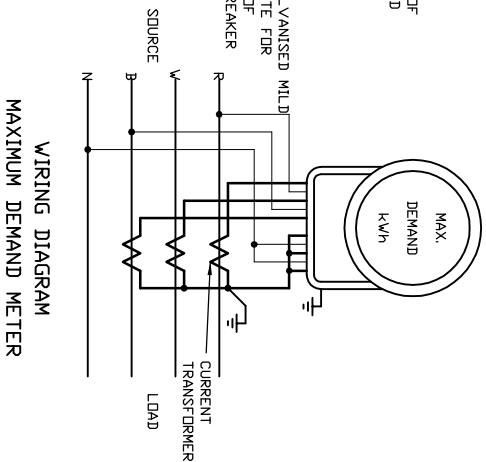
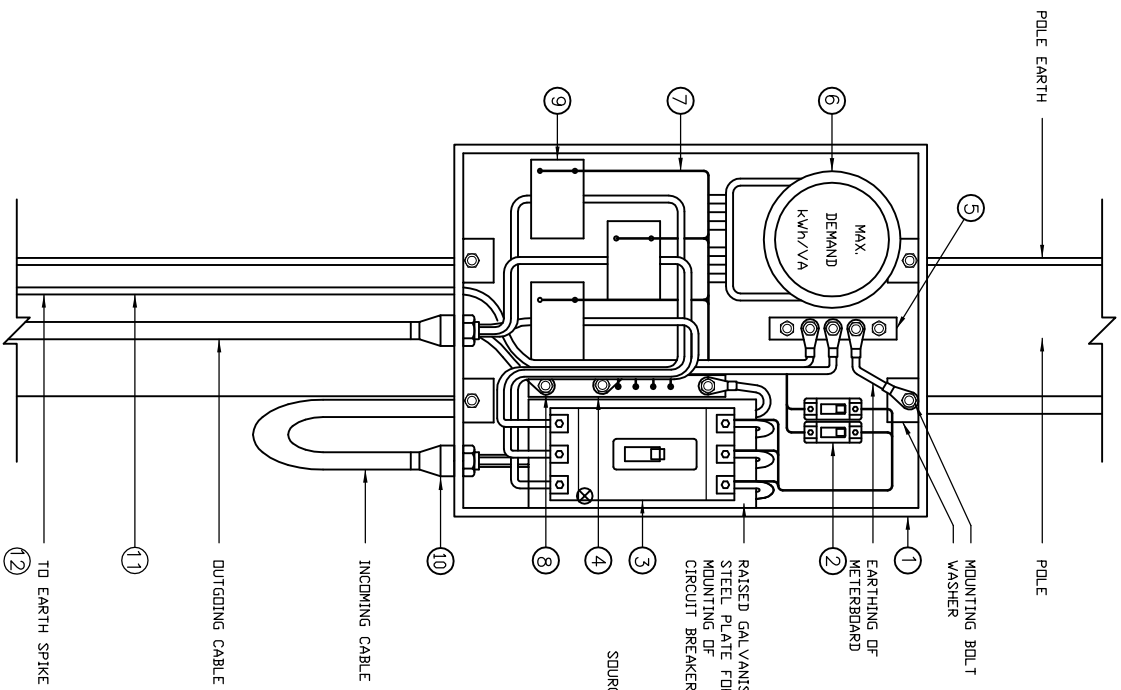
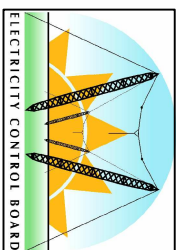


Copyright © 2000 EMCON
 ALL RIGHTS RESERVED. NO PART OF THIS PUBLICATION MAY BE REPRODUCED OR STORED IN A RETRIEVAL SYSTEM OR TRANSMITTED IN ANY FORM OR BY ANY MEANS, ELECTRONIC, MECHANICAL, PHOTOCOPYING, RECORDING OR OTHERWISE, WITHOUT THE PERMISSION IN WRITING FROM EMCON.



ITEM	DESCRIPTION	QTY	REMARKS
1	METERBOARD	1	MAXIMUM DEMAND GEN TYPE
2	MINIATURE CIRCUIT BREAKER	-	AS SPECIFIED
3	TRIPLE POLE CIRCUIT BREAKER	-	AS SPECIFIED
4	NEUTRAL BUSBAR (COPPER)	1	225x25x6mm C/W INSUL. MOUNT
5	EARTH BUSBAR (COPPER)	1	225x25x6mm C/W INSUL. MOUNT
6	KWh/MAXIMUM DEMAND METER	1	VECTRON TRANSFORMER C/VP TYPE
7	PVC INSULATED CONDUCTORS	1m	4mm ² SINGLE CORE
8	TERMINATION LUGS	-	SIZE & QUANTITY AS REQUIRED
9	CURRENT TRANSFORMERS	2	RATIO AS APPROPRIATE
10	CABLE GLANDS	2	SIZE & QUANTITY AS REQUIRED
11	EARTH CONDUCTOR	17m	35mm ² BARE COPPER
12	EARTH SPIKE	1	1.2m LONG 16mm ⁸

- NOTES:
- FOR MOUNTING DETAILS REFER TO DRAWING STD-LVABC-24
 - METERBOARD TO INCLUDE RAISED PLATE, COVER AND HINGED DOOR. COVER IS NOT SHOWN HERE.
 - THE RATING OF THE LARGE FRAME CIRCUIT BREAKER SHALL BE AS INSTRUCTED (HEINEMANN L7603 OR JSO).
 - CONDUCTOR SIZES USED IN METERBOARD SHALL COMPLY WITH SABS 0142.
 - THE CURRENT TRANSFORMERS (CT'S) TO BE INSTALLED SHALL BE AS INSTRUCTED.
 - THE CT RATINGS SHALL BE INDICATED ON THE METER ON A LABEL.
 - ALL BUSBARS SHALL BE SOLID COPPER INSTALLED ONTO INSULATORS
 - ARRANGEMENT SHOWN ONLY FOR UP TO 70mm² CONDUCTORS/CABLES.



Box 2923
 Windhoek
 NAMIBIA
 Tel: (061) 374300
 Fax: (061) 374305

ELECTRICITY CONTROL BOARD

**LOW VOLTAGE DISTRIBUTION:
 METERBOARD LAYOUT:
 MAXIMUM DEMAND
 3 PHASE CONSUMER**

DESIGNED: A.K DRAWN: J.W.S REV: 01-2001
 DRAWING No: STD-LVABC-21 SCALE: N.T.S

TYPICAL DETAIL OF MAXIMUM DEMAND METERBOARD (POLE MOUNTED)

ERROR: syntaxerror
OFFENDING COMMAND: --nostringval--

STACK:

/Title
()
/Subject
(D:20100127104543+02'00')
/ModDate
()
/Keywords
(PDFCreator Version 0.9.5)
/Creator
(D:20100127104543+02'00')
/CreationDate
(johnny)
/Author
-mark-