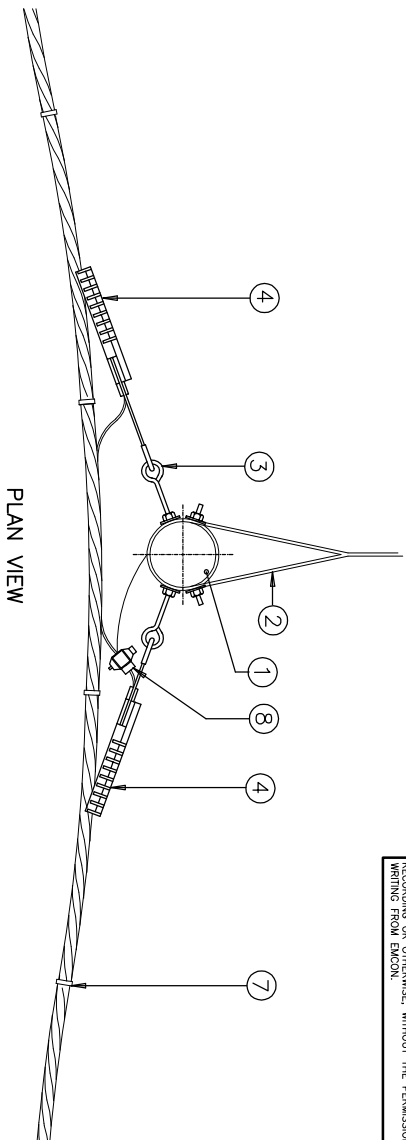
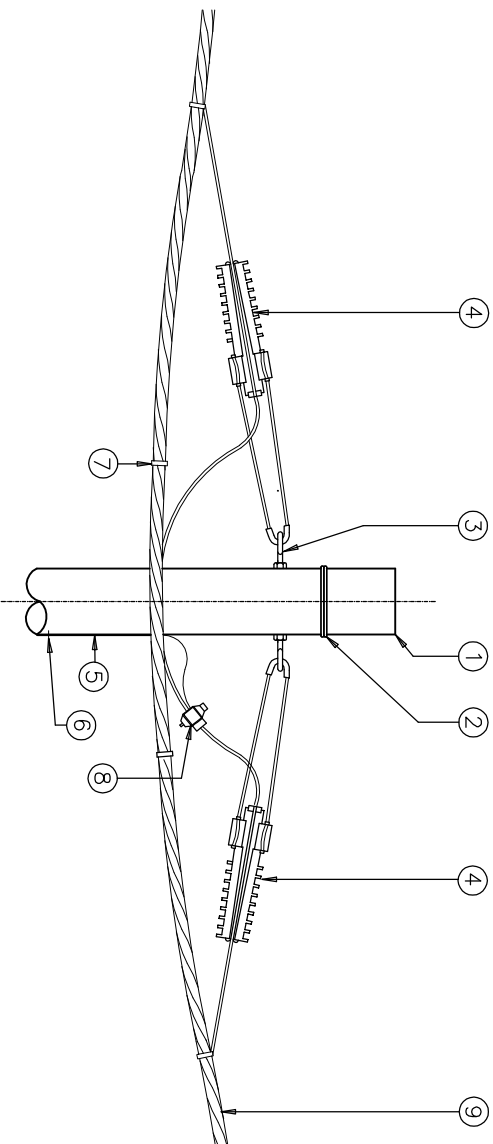


COPYRIGHT © 2000 EMCON
 ALL RIGHTS RESERVED. NO PART OF THIS PUBLICATION MAY BE REPRODUCED STORED IN A RETRIEVAL SYSTEM OR TRANSMITTED IN ANY FORM OR BY ANY MEANS, ELECTRONIC, MECHANICAL, PHOTOCOPYING, RECORDING OR OTHERWISE, WITHOUT THE PERMISSION IN WRITING FROM EMCON.



PLAN VIEW



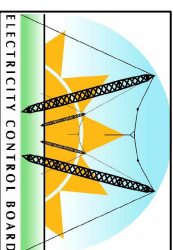
FRONT ELEVATION

ITEM	DESCRIPTION	QTY	REMARKS
1	WOODEN POLE	1	9m LONG WITH TOP 140mm Ø MIN.
2	LV POLE STAY ASSEMBLY	1 OR 2	SEE NOTE 2 BELOW
3	EYE-BOLT ASSEMBLY	2	M16 G/W FISHPLTS, WSHRS, NUTS
4	STRAIN CLAMP ASSEMBLY	2	FOR ABC SUPPORTING CORE
5	POLE EARTH CONDUCTOR	9m	3/4.00mm Ø GALV. STEEL WIRE
6	STAPLES	30	3 x 32mm HOT DIPPED GALV.
7	CABLE TIES FOR ABC	10	STAINLESS STEEL EVA COATED
8	TAP-OFF CONNECTOR FOR ABC	1	FOR ABC
9	ABC	1	AS PER LAYOUT DWG.

NOTES:

1. SEE DWG STD-LVABC-18 FOR EARTHING DETAILS.
2. TWO POLE STAY ASSEMBLIES SHALL BE USED WHERE THE ANGLE THROUGH WHICH THE OVERHEAD LINE TURNS IS GREATER THAN 30°. EACH OF THE TWO STAYS TO BE LINED UP WITH ONE OVERHEAD CONDUCTOR.
3. TWO EYE-BOLT ASSEMBLIES SHALL BE USED WHERE THE ANGLE THROUGH WHICH THE OVERHEAD LINE TURNS IS GREATER THAN 30°.
4. EYE-BOLTS MUST BE INSTALLED IN LINE WITH ABC.
5. SUFFICIENT SLACK MUST BE LEFT SO THAT THE ABC DOES NOT TOUCH THE POLE.

ELECTRICITY CONTROL BOARD



Box 2923
 Windhoek
 NAMIBIA

Tel: (061) 374300
 Fax: (061) 374305

DRAWING TITLE

LOW VOLTAGE AERIAL BUNDLED CONDUCTOR
 DISTRIBUTION: STRAIN POLE DETAIL

DESIGNED: AJK	DRAWN: J.W.S	REV: 01-2001
DRAWING No: STD-LVABC-09	SCALE: N.T.S	

ERROR: syntaxerror
OFFENDING COMMAND: --nostringval--

STACK:

/Title
()
/Subject
(D:20100127110220+02'00')
/ModDate
()
/Keywords
(PDFCreator Version 0.9.5)
/Creator
(D:20100127110220+02'00')
/CreationDate
(johnny)
/Author
-mark-