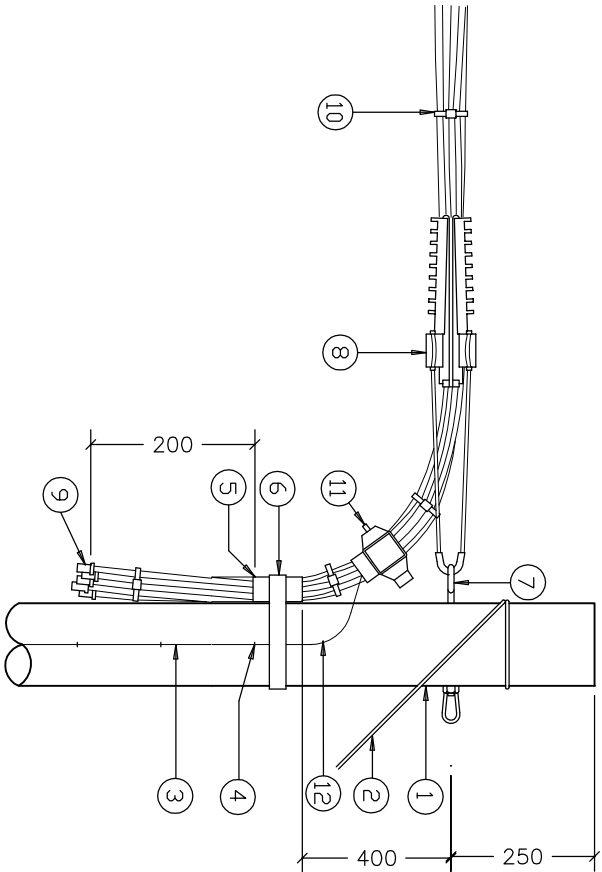


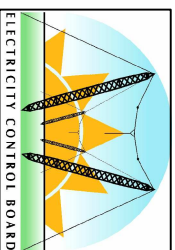
COPYRIGHT © 2000 EMCON  
 ALL RIGHTS RESERVED. NO PART OF THIS PUBLICATION MAY BE REPRODUCED STORED IN A RETRIEVAL SYSTEM OR TRANSMITTED IN ANY FORM OR BY ANY MEANS, ELECTRONIC, MECHANICAL, PHOTOCOPYING, RECORDING OR OTHERWISE, WITHOUT THE PERMISSION IN WRITING FROM EMCON.



ITEM	DESCRIPTION	QTY	REMARKS
1	WOODEN END POLE	1	9m LONG WITH 140mm Ø
2	LV POLE STAY ASSEMBLY	1	SEE DWG. STD-LVABC-15
3	POLE EARTH CONDUCTOR	9m	3/4.00mm Ø GALV. STEEL WIRE
4	STAPLES	30	3 x 32mm HOT DIPPED GALV.
5	HOPE PIPE (CLASS 6)	0.1m	50mm Ø SLEEVE
6	BAND-IT STRAPPING	1	20 x 0.7mm STAINLESS STEEL
7	EYEBOLT ASSEMBLY	1	M16 G/W FISHPLTS, WSHRS, EYEBOLT
8	STRAIN CLAMP ASSEMBLY	1	FOR ABC SUPPORTING CORE
9	END CAPS	4	FOR ABC - GPE TYPE
10	CABLE TIES FOR ABC	4	STAINLESS STEEL EVA-COATED
11	TAP OFF CONNECTOR	1	FOR ABC NEUTRAL_25-95/2.5-35mm <sup>2</sup>
12	NEUTRAL EARTHING	1	AS PER LAYOUT DWG.

NOTES:  
 1. USE AS ABC CABLE TERMINATION AT POINT FURTHEST FROM THE SUPPLY TRANSFORMER OR AS INSTRUCTED.

### ELECTRICITY CONTROL BOARD



Box: 2923  
 Windhoek  
 NAMIBIA  
 Tel: (061) 374300  
 Fax: (061) 374305

DRAWING TITLE

### LOW VOLTAGE AERIAL BUNDLED CONDUCTOR DISTRIBUTION: END POLE

DESIGNED: A.K	DRAWN: J.W.S	REV: 01-2001
DRAWING No: STD-LVABC-06	SCALE: N.T.S	



ERROR: syntaxerror  
OFFENDING COMMAND: --nostringval--

STACK:

/Title  
( )  
/Subject  
(D:20100127111449+02'00')  
/ModDate  
( )  
/Keywords  
(PDFCreator Version 0.9.5)  
/Creator  
(D:20100127111449+02'00')  
/CreationDate  
(johnny)  
/Author  
-mark-