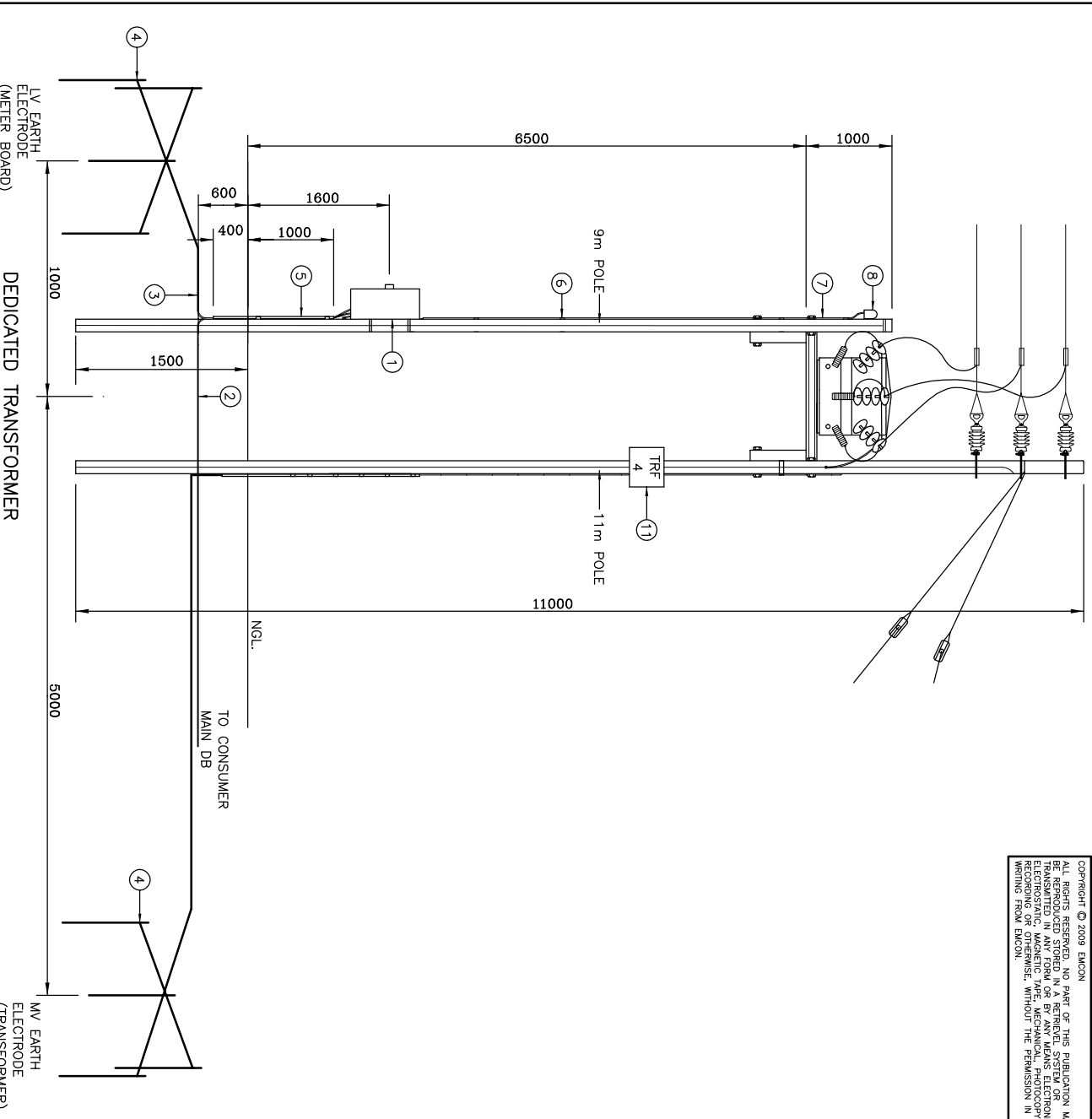


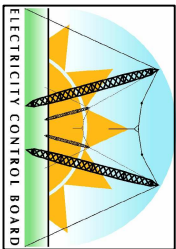
COPYRIGHT © 2009 EMCON  
 ALL RIGHTS RESERVED. NO PART OF THIS PUBLICATION MAY BE REPRODUCED STORED IN A RETRIEVAL SYSTEM OR TRANSMITTED IN ANY FORM OR BY ANY MEANS, ELECTRONIC, MECHANICAL, PHOTOCOPYING, RECORDING OR OTHERWISE, WITHOUT THE PERMISSION IN WRITING FROM EMCON.



ITEM	DESCRIPTION	QTY	REMARKS
1	POLE-MOUNTED METER BOARD	1	SEE DWG. STD-LVABC-24
2	SERVICE CABLE	-	SIZE AS SPECIFIED
3	EARTH CONDUCTOR	10m	BARE CU CONDUCTOR 25mm <sup>2</sup>
4	EARTH SPIKE	4	1.2m LONG, 16mm $\phi$
5	KICK PIPE	1.4m	50mm $\phi$ HDPE
6	GALVANISED SADDLES	9	TO SUIT CABLE AND KICK PIPE
7	CABLE HOOD	11m	SIZE AS SPECIFIED
8	TERMINATION CRIMPING LUGS	1	POLE BOX
9	TRANSFORMER EARTH CONDUCTOR	8	SIZE AS REQUIRED
10	TRANSFORMER EARTH CONDUCTOR	1	ALREADY INSTALLED
11	TRF	1	SEE DWG. STD-LVABC-26

- NOTES:**
1. TRANSFORMER EARTH TO BE SEPARATE FROM METER BOARD EARTH.
  2. LV SURGE ARRESTOR FROM LV NEUTRAL TO MV EARTH.

**ELECTRICITY CONTROL BOARD**



Box 2923  
 Windhoek  
 NAMIBIA  
 Tel: (061) 374300  
 Fax: (061) 374305

**DRAWING TITLE**  
 LOW VOLTAGE AERIAL BUNDLED CONDUCTOR  
 DISTRIBUTION: DEDICATED TRANSFORMER  
 CONNECTION,  
 LOCAL AUTHORITY

<b>DESIGNED:</b> A.K	<b>DRAWN:</b> J.W.S	<b>REV:</b> 01-2001
<b>DRAWING No:</b> STD-LVABC-03		<b>SCALE:</b> N.T.S



ERROR: syntaxerror  
OFFENDING COMMAND: --nostringval--

STACK:

/Title  
( )  
/Subject  
(D:20100127111647+02'00')  
/ModDate  
( )  
/Keywords  
(PDFCreator Version 0.9.5)  
/Creator  
(D:20100127111647+02'00')  
/CreationDate  
(johnny)  
/Author  
-mark-