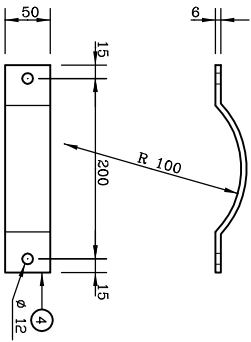
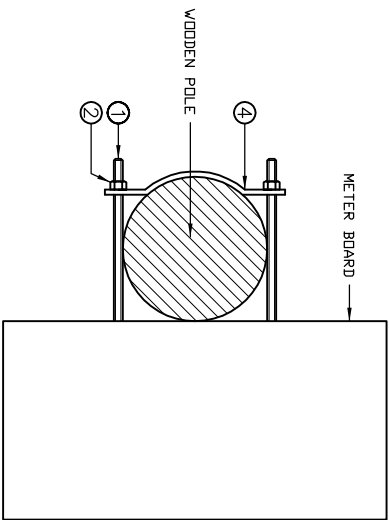


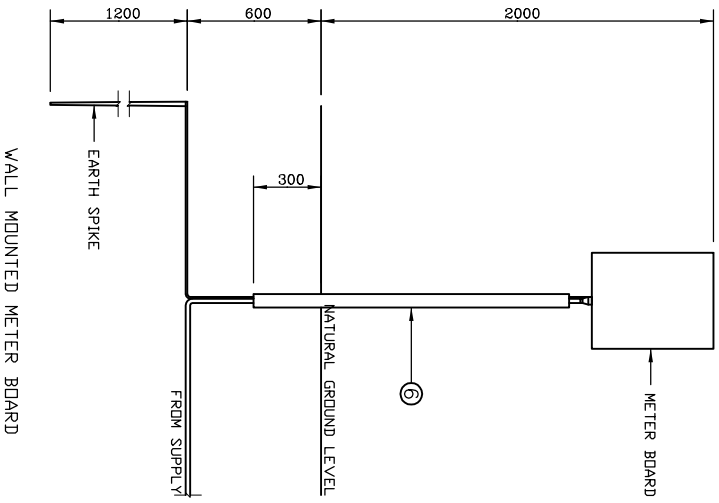
COPYRIGHT © 2009 EMCON
 ALL RIGHTS RESERVED. NO PART OF THIS PUBLICATION MAY
 BE REPRODUCED STORED IN A RETRIEVAL SYSTEM OR
 TRANSMITTED IN ANY FORM OR BY ANY MEANS, INCLUDING
 ELECTRONIC, MECHANICAL, TAPING, PHOTOCOPYING,
 RECORDING OR OTHERWISE, WITHOUT THE PERMISSION IN
 WRITING FROM EMCON.



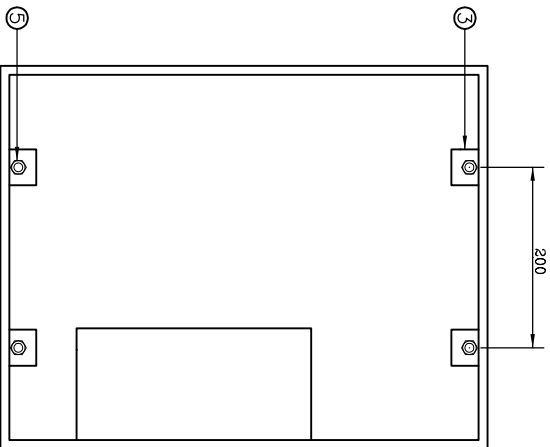
POLE MOUNTING BRACKET DETAIL



POLE MOUNTED METER BOARD



WALL MOUNTED METER BOARD



DRILLING OF METER BOARD

ITEM	DESCRIPTION	QTY	REMARKS

NOTES:



ELECTRICITY CONTROL BOARD

Box 2923
 Windhoek
 NAMIBIA
 Tel: (061) 374300
 Fax: (061) 374305

DRAWING TITLE

LOW VOLTAGE DISTRIBUTION: METERBOARD MOUNTING DETAILS

DESIGNED: A.K	DRAWN: J.W.S	REV: 01-2001
DRAWING No:STD-LVBOH-24		SCALE: N.T.S

ERROR: syntaxerror
OFFENDING COMMAND: --nostringval--

STACK:

/Title
()
/Subject
(D:20100127092321+02'00')
/ModDate
()
/Keywords
(PDFCreator Version 0.9.5)
/Creator
(D:20100127092321+02'00')
/CreationDate
(johnny)
/Author
-mark-