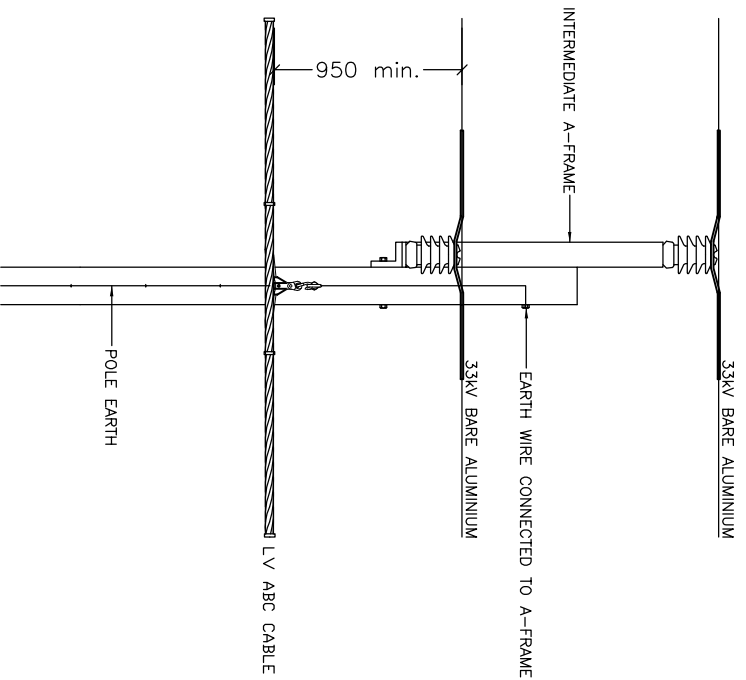
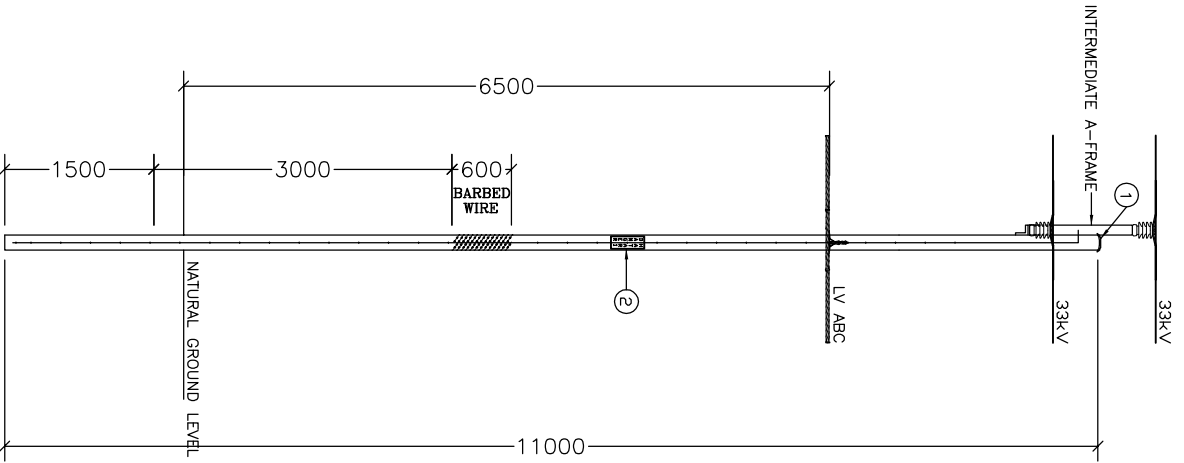


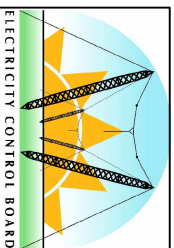
COPYRIGHT © 2009 EMCOR
 ALL RIGHTS RESERVED. NO PART OF THIS PUBLICATION MAY
 BE REPRODUCED STORED IN A RETRIEVAL SYSTEM OR
 TRANSMITTED IN ANY FORM OR BY ANY MEANS, ELECTRONIC,
 ELECTROSTATIC, MAGNETIC TAPE, MECHANICAL, PHOTOCOPYING,
 RECORDING OR OTHERWISE, WITHOUT THE PERMISSION IN
 WRITING FROM EMCOR.



ITEM	DESCRIPTION	QTY	REMARKS
1	POLE CAP		
2	DAANGER PLATE		

- NOTES:**
- THIS DRAWING ONLY INDICATES MINIMUM DISTANCE BETWEEN 33kV MW CONDUCTORS AND 400V LV ABC LINE.
 - A-FRAME IS CONNECTED TO POLE EARTH BUT NOT THE ABC - NEUTRAL.

ELECTRICITY CONTROL BOARD



Box 2923
 Windhoek
 NAMIBIA

Tel: (061) 374300
 Fax: (061) 374305

DRAWING TITLE

**MEDIUM VOLTAGE BARE OVERHEAD DISTRIBUTION
 COMBINED MV & LV INTERMEDIATE POLE
 STRUCTURE**

DESIGNED: A.K	DRAWN: J.W.S	REV: 01-2001
DRAWING No: STD-MVA/F-33KV-09		
SCALE: N.T.S		

ERROR: syntaxerror
OFFENDING COMMAND: --nostringval--

STACK:

/Title
()
/Subject
(D:20100127141941+02'00')
/ModDate
()
/Keywords
(PDFCreator Version 0.9.5)
/Creator
(D:20100127141941+02'00')
/CreationDate
(johnny)
/Author
-mark-