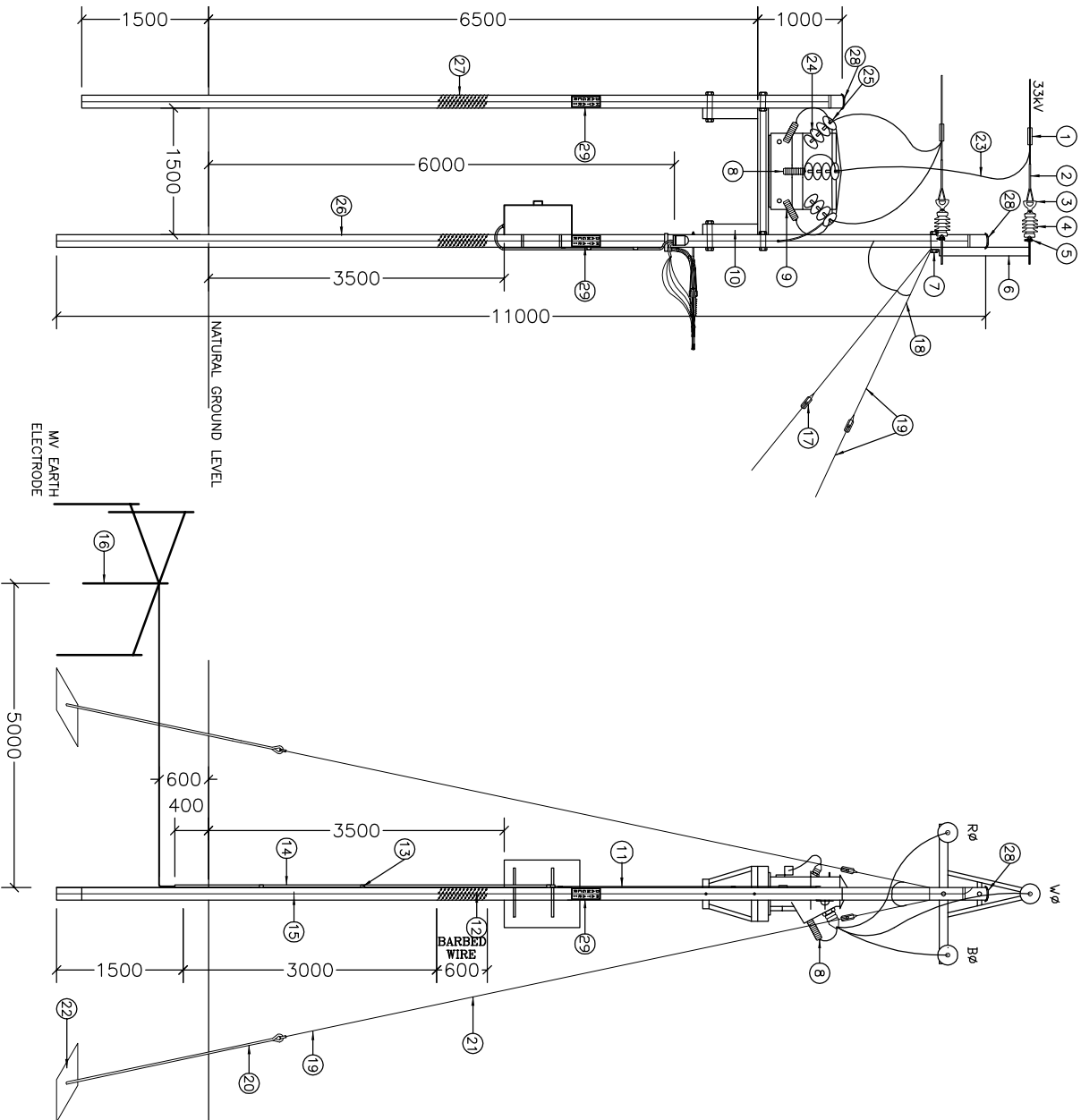


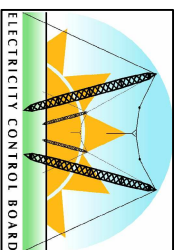
COPYRIGHT © 2009 EMCON
 ALL RIGHTS RESERVED. NO PART OF THIS PUBLICATION MAY BE REPRODUCED STORED IN A RETRIEVAL SYSTEM OR TRANSMITTED IN ANY FORM OR BY ANY MEANS, ELECTRONIC, MECHANICAL, PHOTOCOPYING, RECORDING OR OTHERWISE, WITHOUT THE PERMISSION IN WRITING FROM EMCON.



ITEM	DESCRIPTION	QTY	REMARKS
1	PG CLAMP	3	P.L.P. 2674-28
2	DEAD END	3	P.L.P. ADE 280
3	THIMBLE CLEVIS	3	P.L.P. MTC70
4	LONGROD INSULATOR	3	CULINIAN EP 1044, 1200 CREEPAGE
5	PIN	3	GALVANISED MILD STEEL
6	STRAIN A-FRAME	1	SEE DWG NO. STD-MVAF-11
7	BOLTS & WOOD POLE WASHERS	8	CULINIAN V37 COMPLETE
8	SURGE ARRESTOR	3	ABI CHANGE JOSTIVN J924 10RS
9	TRANSFORMER GRADLE	1	RATING AS SPECIFIED
10	TRANSFORMER	1	SEE DWG NO. STD-MVAF-10
11	MV EARTH CONDUCTOR	15m	INSULATED CU CONDUCTOR 70mm ²
12	POLE EARTH CONDUCTOR	20m	3/4"Ø00m STAY WIRE
13	SADDLES	10	
14	KICK PIPE	3m	HDE 50mm dia CLASS 6
15	STAPLES	4	3x32mm HOT DIP GALVANISED
16	EARTH SPIKE	4	1.2m LONG - 16mmØ
17	STAY INSULATOR	2	CULINIAN 21-0522
18	POLE TOP MAKE OFF	2	P.L.P. P1472
19	GUY GRIP	6	P.L.P. GSDE 472
20	STAY WIRE GALVANISED	2	CULINIAN B520 C/W THIMBLE
21	STAY ROD	30m	5/8" STAY WIRE GALVANISED
22	BASE PLATE	2	CULINIAN 350x350x6mm GALV.
23	GOPIHER JUMPERS	3x6m	GOPIHER ALUMINIUM CONDUCTOR
24	TRANSFORMER BUSHINGS	3	SUPPLIED WITH TRF
25	TERMINATION LUGS	3	ALUMINIUM TO BRASS 70x16
26	WOODEN POLE	1	11712m LONG WITH TOP 160mmØ
27	WOODEN POLE	1	9m LONG WITH TOP 140mmØ
28	POLE CAP		
29	DANGER PLATE		

- NOTES:**
1. ALL FABRICATED ITEMS, BOLTS, NUTS AND WASHERS SHALL BE HOT DIPPED GALVANISED TO SABS 763.
 2. FOR TRANSFORMER RATED 100KVA.
 3. ALUMINIUM OXIDE GREASE SHALL BE USED ON ALL CLAMPS FOR CORROSION PROTECTION.
 4. THE A-FRAME AND GRADLE MUST BE PROPERLY EARTHED TO SPECIFIED STANDARD, AND BONDED TO MV EARTH.

ELECTRICITY CONTROL BOARD



Box 2923
 Windhoek
 NAMIBIA
 Tel: (061) 374300
 Fax: (061) 374305

DRAWING TITLE

**MEDIUM VOLTAGE BARE OVERHEAD DISTRIBUTION
 DISTRIBUTION TRANSFORMER STRUCTURE
 H-POLE MOUNTING**

DESIGNED: A.K **DRAWN:** J.W.S **REV:** 01-2001

DRAWING No: STD-MVAF-33KV-01 **SCALE:** N.T.S

ERROR: syntaxerror
OFFENDING COMMAND: --nostringval--

STACK:

/Title
()
/Subject
(D:20100127142729+02'00')
/ModDate
()
/Keywords
(PDFCreator Version 0.9.5)
/Creator
(D:20100127142729+02'00')
/CreationDate
(johnny)
/Author
-mark-