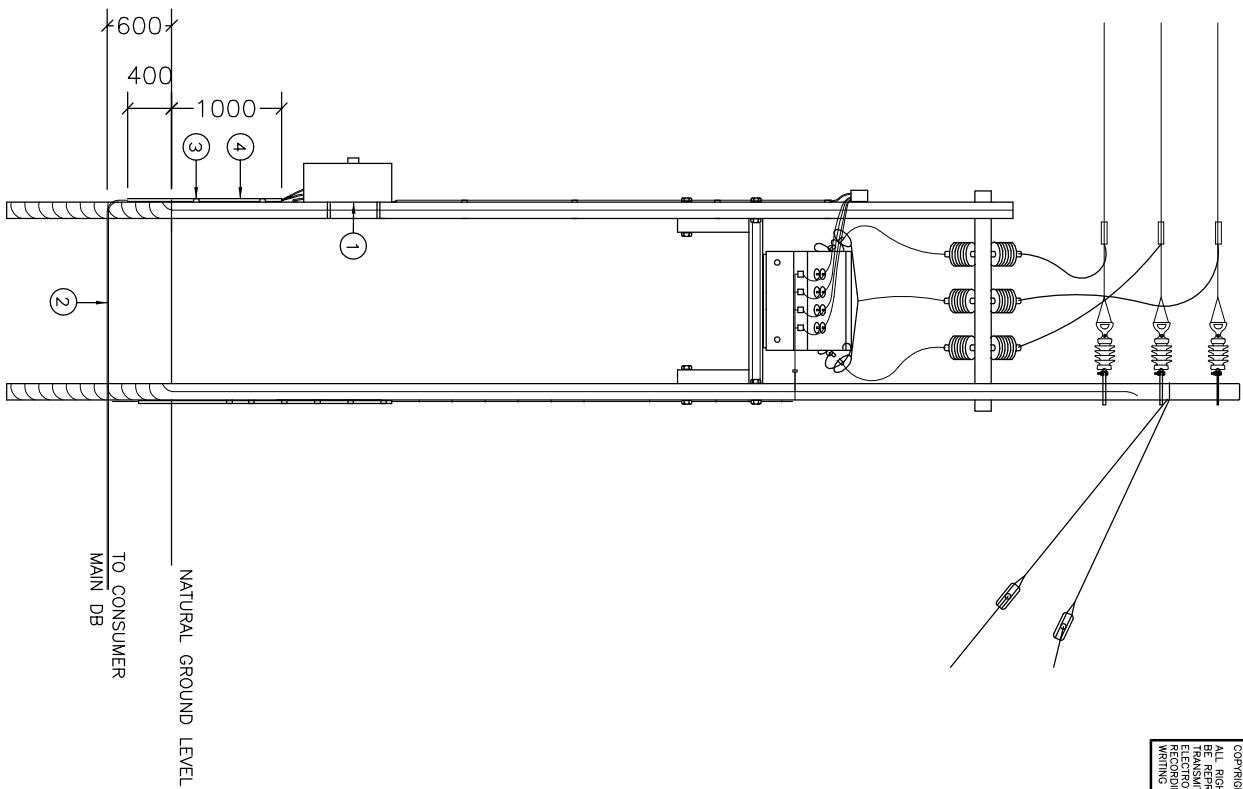


COPYRIGHT © 2009 EMCON
 ALL RIGHTS RESERVED. NO PART OF THIS PUBLICATION MAY
 BE REPRODUCED STORED IN A RETRIEVAL SYSTEM OR
 TRANSMITTED IN ANY FORM OR BY ANY MEANS, ELECTRONIC,
 ELECTROSTATIC, MAGNETIC TAPE, MECHANICAL, PHOTOCOPIING
 RECORDING OR OTHERWISE, WITHOUT THE PERMISSION IN
 WRITING FROM EMCON.

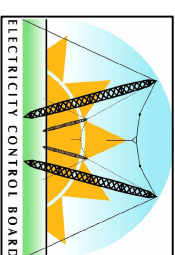


DEDICATED TRANSFORMER

ITEM	DESCRIPTION	QTY	REMARKS
1	POLE MOUNTED METER BOARD	1	SIZE AS SPECIFIED
2	SUPPLY TO CONSUMER	-	
3	GALV. SADDLES	2	
4	KICK PIPE	1.4m	50mm HDPE

NOTES:

ELECTRICITY CONTROL BOARD



Box 2923
 Windhoek
 NAMIBIA

Tel: (061) 374300
 Fax: (061) 374305

DRAWING TITLE

**DEDICATED TRANSFORMER CONNECTION
 -VILLAGE INTERNAL NETWORK-**

DESIGNED: A.K DRAWN: J.W.S REV: 01-2001

DRAWING No: STD-LVBOH-04 SCALE: N.T.S

ERROR: syntaxerror
OFFENDING COMMAND: --nostringval--

STACK:

/Title
()
/Subject
(D:20100127094918+02'00')
/ModDate
()
/Keywords
(PDFCreator Version 0.9.5)
/Creator
(D:20100127094918+02'00')
/CreationDate
(johnny)
/Author
-mark-